

Service  
Service  
Service

# Service Manual

110-127-220-240V  
50/60Hz  
P=35W

RECORD PLAYER  
22 GC 023/90

9V  $\equiv$   
6x1.5V (R20)

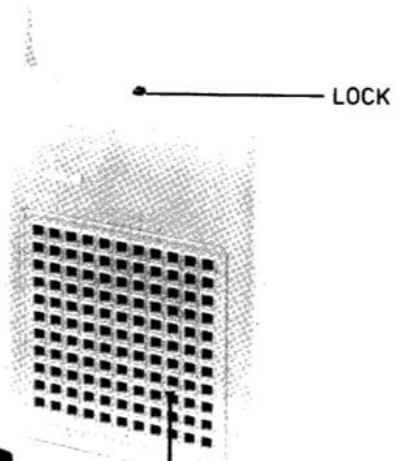
GP214-GP215

33-45-78

R501

0,5W (d=10%)  
8  $\Omega$

7278A



Safety regulations require that the set be restored to its original condition and that parts which are identical with those specified, be used.

Documentation Technique Service Dokumentation Documentazione di Servizio Huolto-Ohje Manual de Servicio Manual de Servicio



Subject to modification  
4822 276 11582  
Printed in The Netherlands

**PHILIPS**

CS53707

MSC		TS401	D403,404	TS402		TS405,406	S426			D47L ÷ 476	SK-2	TS451	T468	TS452	M F462	SK-1
C		602	603	604		605			601	681		504	566 ÷ 568	569	570	571
R		501	502	503	506	505	509	507	508	510	511	512				

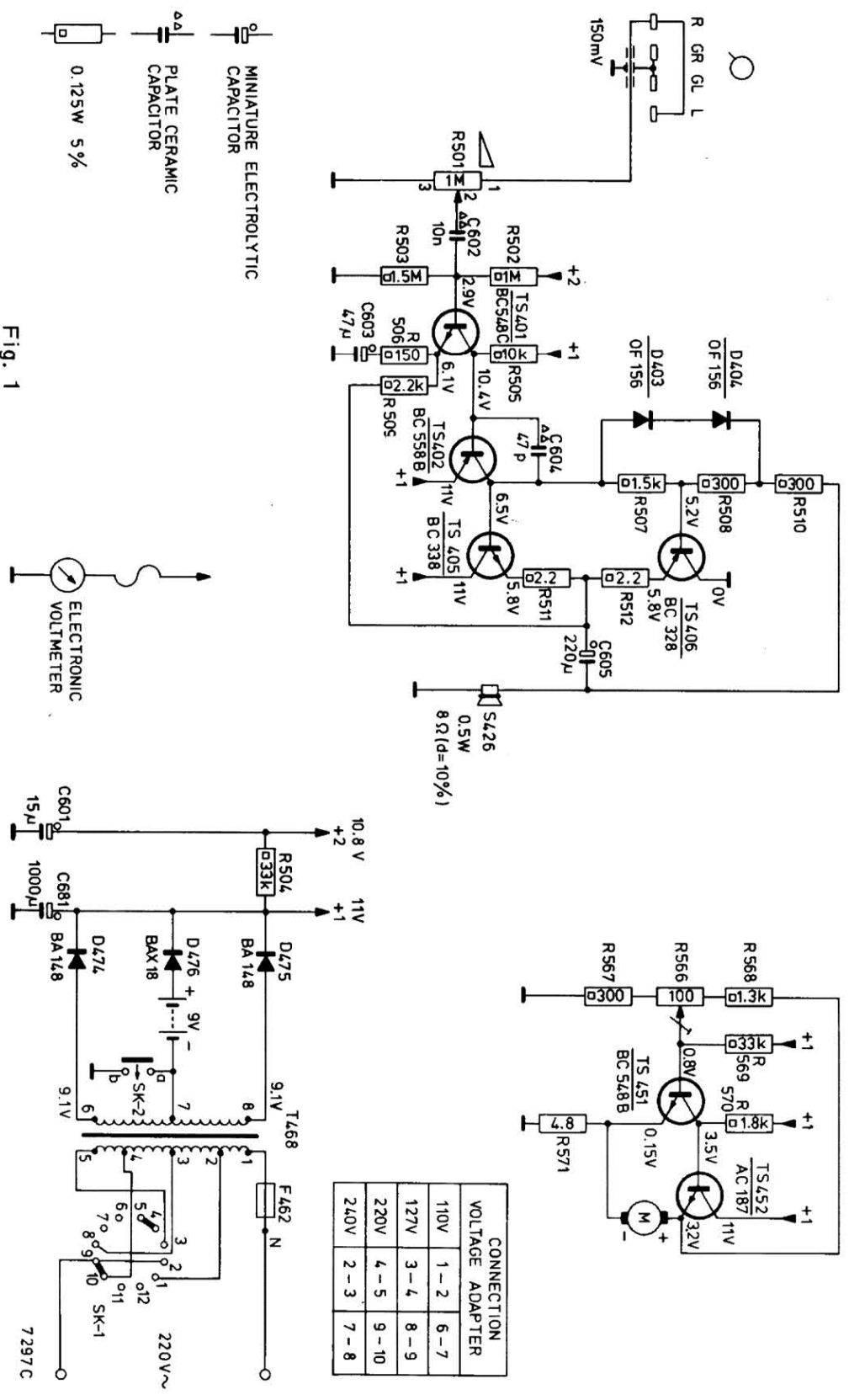


Fig. 1

T468	4822 145 30163	TS406	BC328	5322 130 44104	C605	220 $\mu$ F - 10 V	4822 124 20589
F462	4822 252 20007	TS451	BC548B	5322 130 40937	C681	1000 $\mu$ F - 16 V	4822 124 20524
SK2a	4822 290 80225	TS452	AC187	5322 130 40314	R501	1 M $\Omega$ log.	4822 105 10231
SK2b	4822 290 80226	D403-D404	OF156	4822 130 30265	R566	100 $\Omega$	4822 101 20254
M	4822 361 70264	D474-D475	BY206	4822 130 30839	R571	4.8 $\Omega$	4822 101 20254
S426	4822 240 40051	D476	BAX18	5322 130 34121			4822 157 50746
TS401	5322 130 44196	C601		4822 124 20467			
TS402	5322 130 44197	C603		4822 124 20461			
TS405	5322 130 44121	C603					

MISC	T468	F 462	TS401, 402, 405 SK-1	TS406 D403, 404	D474, 475		TS451	M	TS452	S426	D476	SK-2							
C		603	602	604	601	681	605												
R		505	506	509	511	504	512	502	508	507	510	503	501	567	569	570	571	566	568

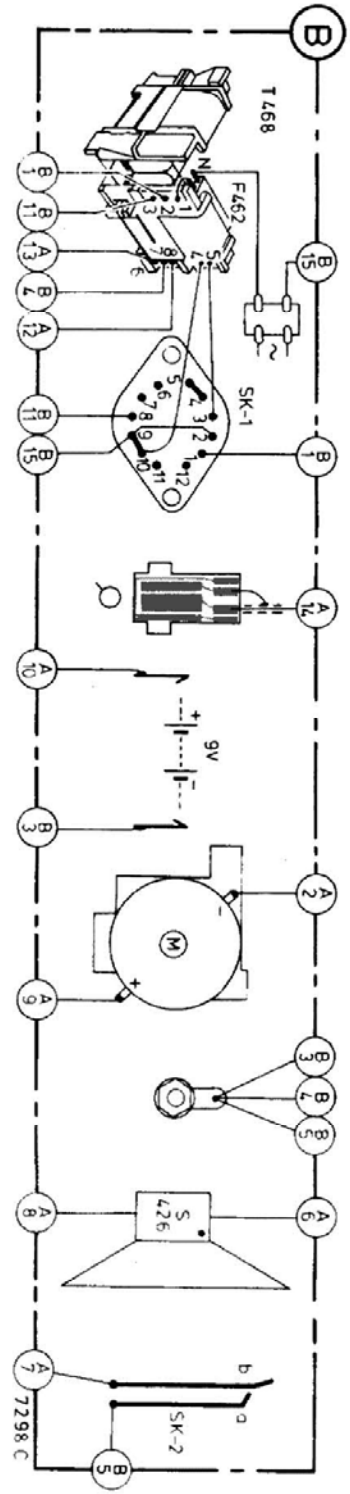
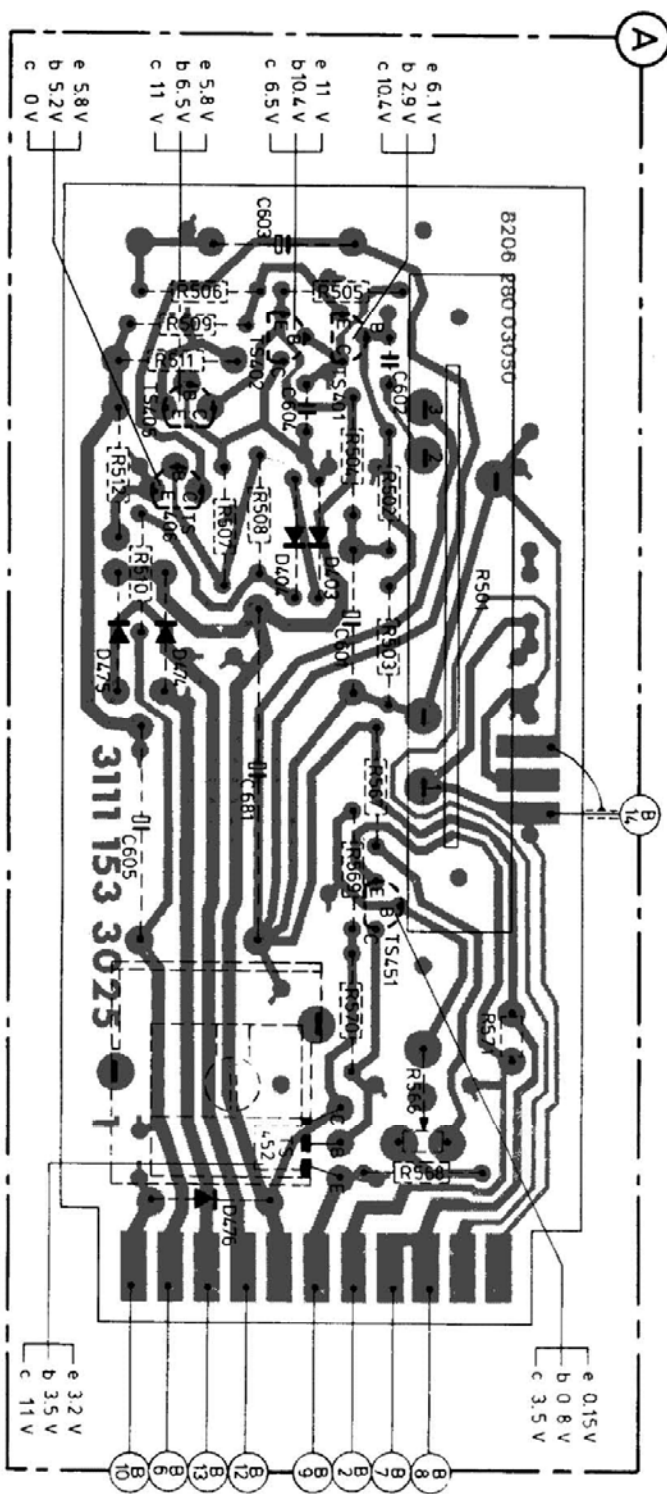
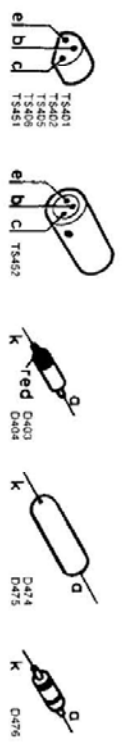
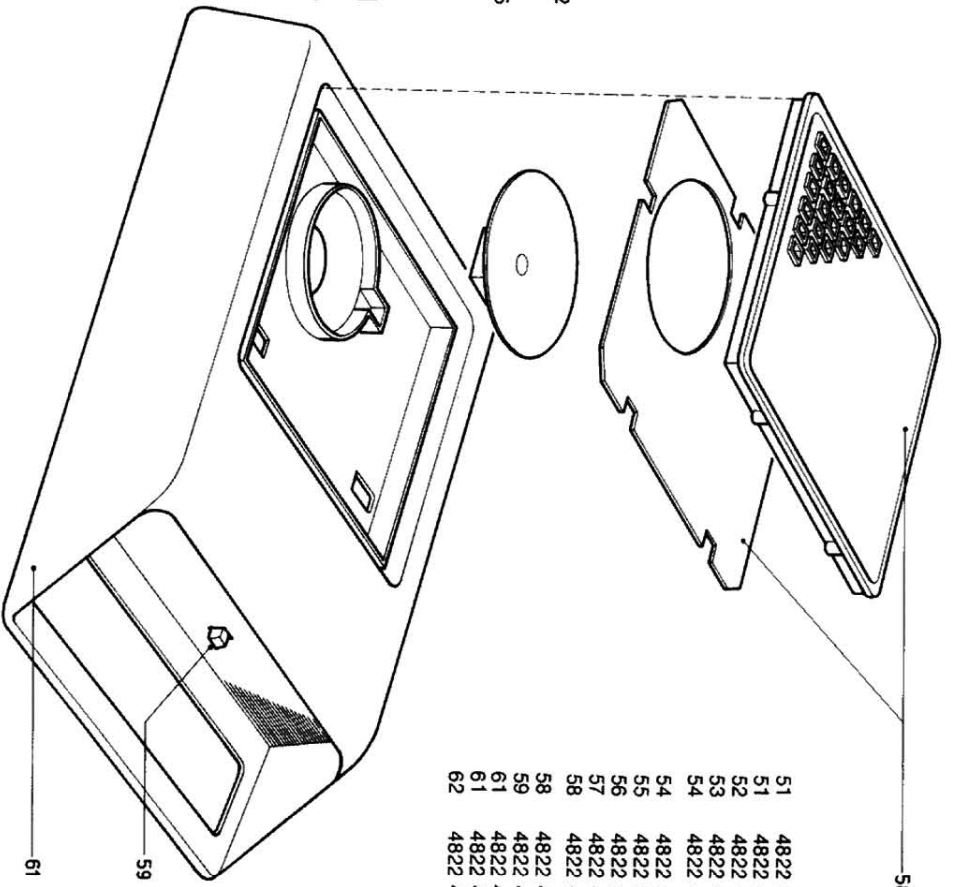
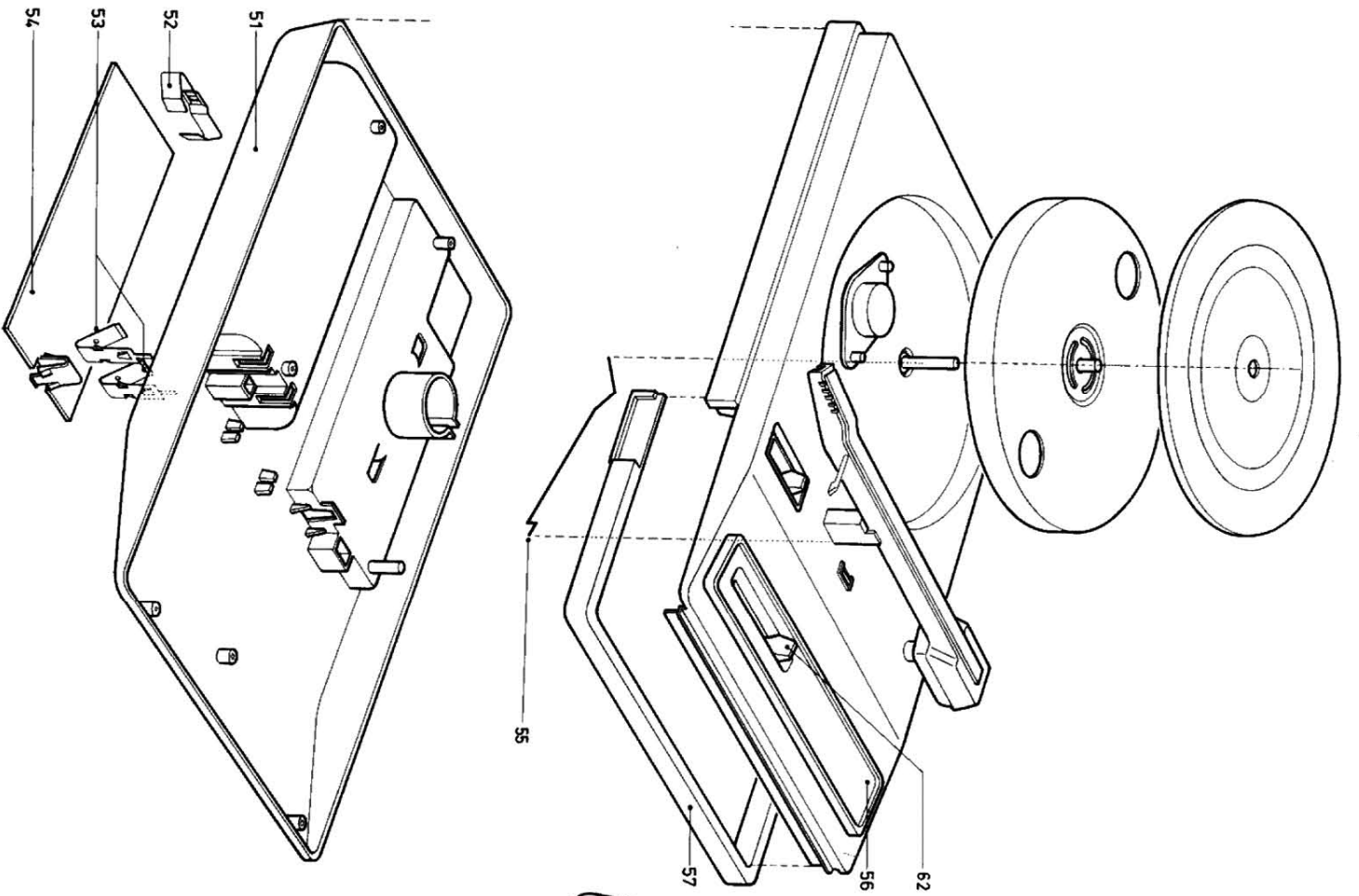


Fig. 2





51	4822 444 60328	yellow (E-version)
51	4822 444 60322	red (L-version)
52	4822 492 61841	
53	4822 492 62015	
54	4822 444 60329	yellow (E-version)
54	4822 444 60323	red (L-version)
55	4822 535 90988	
56	4822 454 30235	
57	4822 498 40374	
58	4822 444 60331	yellow (E-version)
58	4822 444 60326	red (L-version)
59	4822 402 60514	
61	4822 444 20187	yellow (E-version)
61	4822 444 20185	red (L-version)
62	4822 411 10033	

Fig. 3